

NEW

AREALO LED Large-Area Spotlight Series 7850...



Applications:

Sports facilities and large areas such as Car Parks, stockyards, Loading station, Container terminals, large opencast mining equipment, port facilities, Airport apron lighting, etc.

Design:

Housing: 1 - 3 Segments of Die-cast aluminium, powder coated in DB702N (mica-iron paint, grey), with LED modules, optics and cover glass.

Rear-mounted ECG-housing of aluminium, powder coated in DB702N.

Version OV: without ECG-housing, ECG on separate Pole mounting rail.

Segment holder and swivel bracket made

of galvanized steel.

Glass: Flat safety glass pane, resistant to temperature changes, impact resistant IK09, silicone gasket.

Light distribution: Extremely asymmetric beam.

Connection: Plug-type connector (**FastConnect**), plug mounted to the housing, socket included. Wired ready for connection.

Mounting: Mounting bracket, swivel range 90°, adjustable in steps of 5°, with 3 drillings for direct wall mounting or pole mounting in connection with a pole mounting bracket respectively.

Electrical design:

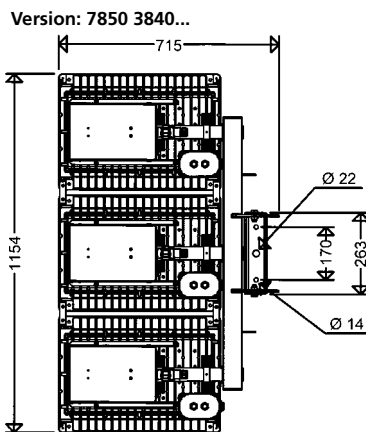
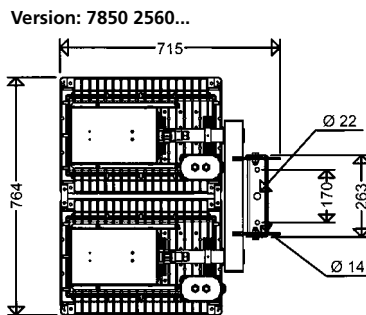
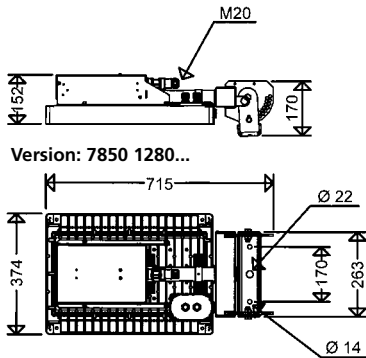
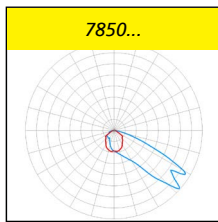
LED module: Zhaga compliant, 4,000K, $R_a > 70$, lifetime $L_{90} > 100,000h$

ECG: 220-240V, 50-60Hz, overload and short circuit protection.

Note: Due to the inrush current of the electronic ballasts, the maximum permissible number of light fittings per circuit breaker is limited.

Further Options:

- 3,000 K, light-colour 730 (ca. 8% lower luminous flux) - asymmetric light distributions
- 1,800K, light colour 518 „Amber“ (ca. 38% lower luminous flux) - special painting in all RAL colours



Product highlights:

- robust, modular design
- Excellent thermal management due to segment-surrounding cooling fin structure, excellent heat dissipation, with additional cooling by convection
- precise light control with highly efficient optics
- uniform illumination through Multi-Layer-Technology, this means each individual LED illuminates the entire area, the LVK of the individual LEDs overlap
- Luminaire can be rotated using a mounting bracket and swiveled by up to 90° in 5° increments, segments can also be rotated to achieve optimal lighting results
- Simple, easy mounting:
Fasten the mounting bracket with the segment holder, attach and fix the segments individually, establish the electrical connection using the **FastConnect** connector
- Fast ECG exchange with OV version, no supervisor required
- eco friendly with 0° mounting (Plane Surface Floodlight) no light emission in the upper half space, Dark-Sky requirements are fulfilled
- future proof by using standardized LED-modules (Zhaga)

Article no.	Type	number of segments	Quantity of ECG	Power consumption [W]*	Luminous flux [lm] *	Luminous efficacy [lm/W]	Energy efficiency class	Weight [ca. kg] (without packaging)	Wind load area [m²]
-------------	------	--------------------	-----------------	------------------------	----------------------	--------------------------	-------------------------	-------------------------------------	---------------------

7850... SP

78501 0001	7850 12804SP	1	2	414	50.000	121	A++	18,3	0,16
78502 0001	7850 25604SP	2	4	828	100.000	121	A++	34,0	0,32
78503 0001	7850 38404SP	3	6	1242	150.000	121	A++	50,0	0,48

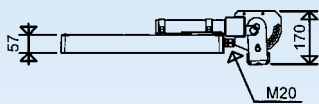
* see notes



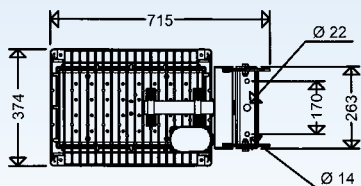
Notes:

Properties, limitations and details for controlling LED-light fittings: See „Technical Supplement“.

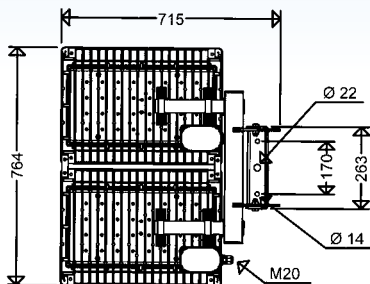
All technical data is relevant at the time of print. Actual technical data can be found in the internet under www.schuch.de.



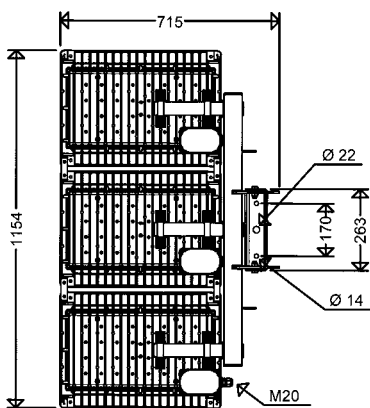
Version: 7850 1280... SP OV



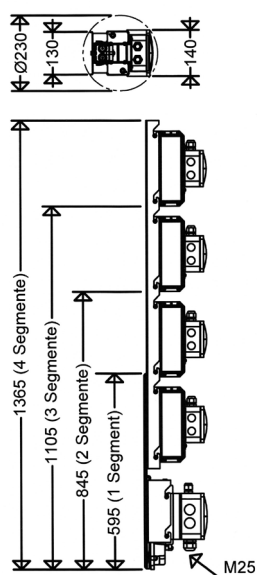
Version: 7850 2560... SP OV



Version: 7850 3840... SP OV



Mast mounting rail



Article no.	Type	number of segments	Quantity of ECG	Power consumption [W]*	Luminous flux [lm] *	Luminous efficacy [lm/W]	Energy efficiency class	Weight [ca. kg] (without packaging)	Wind load area [m²]
-------------	------	--------------------	-----------------	------------------------	----------------------	--------------------------	-------------------------	-------------------------------------	---------------------

7850... SP OV



Version:

Like 7850 ... but without ECG housing, mast mounting rail required.

78501 0100	7850 12804SP OV	1	2	414	50.000	121	A++	14,3	0,16
78502 0100	7850 25604SP OV	2	4	828	100.000	121	A++	26,0	0,32
78503 0100	7850 38404SP OV	3	6	1242	150.000	121	A++	38,0	0,48

* see notes ** 44% luminous flux at 50% power consumption

Mast mounting rail 7850/1 ME 10150

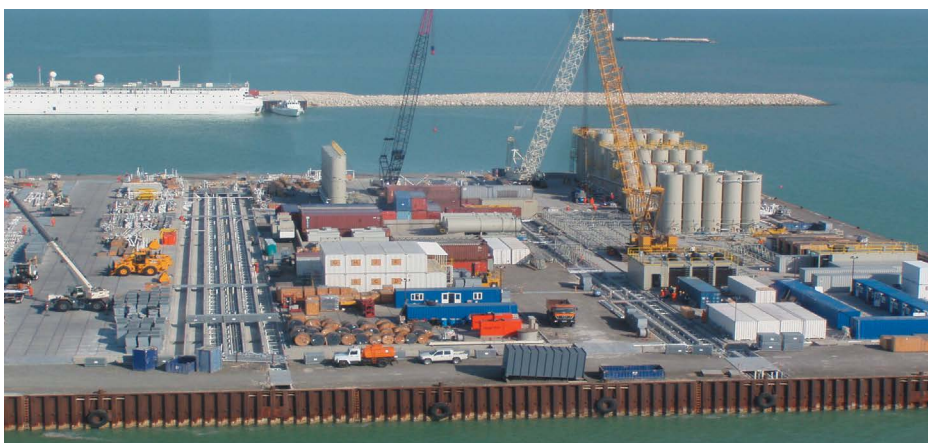
Design:

Device plate with electronic ballast and cable junction box, wired ready for connection, FastConnect connector.

Tool-free with hanging profile (included in delivery).

Mounting:

Article no.	Type	
78509 0001	7850/1 ME 1050	Mast mounting rail for one 1er-segment (2 ECG)
78509 0002	7850/2 ME 1050	Mast mounting rail for one 2er-segment (4 ECG)
78509 0003	7850/3 ME 1050	Mast mounting rail for one 3er-segment (6 ECG)
78509 0004	7850/4 ME 1050	Mast mounting rail for two 2er-segments (8 ECG)



Accessories / Spare Parts

Article no.	Type	
78510 9000	7850/010	spare safety glas
90120 9011	2530	plastic cable gland M20 x 1,5 black
90121 9008	2600	plastic plug M20 x 1,5 black